

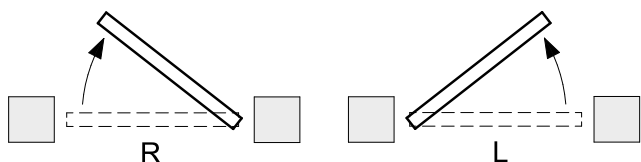
RISING HINGES

Description

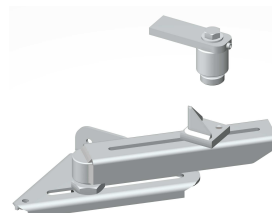
Galvanized spherical hinge for sloped swing gate. Available for both left or right openings. Maximum angle of inclination is directly related to the gate height (see below table). For safety reasons it is recommended that the gate be motorized. The automation must be able to handle, in addition to the weight and size of the door, the particular lifting movement.

Family of Articles

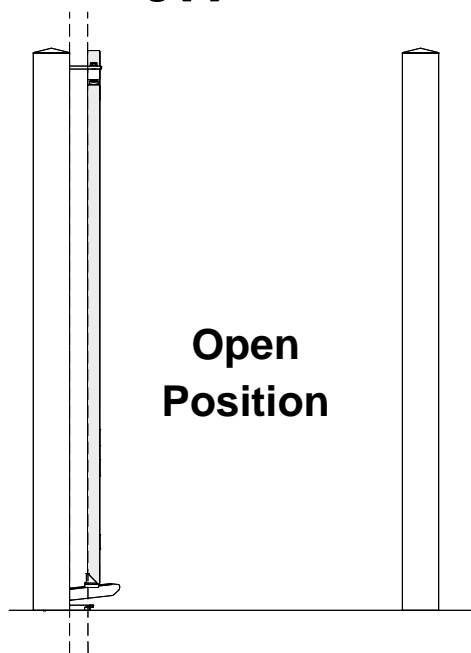
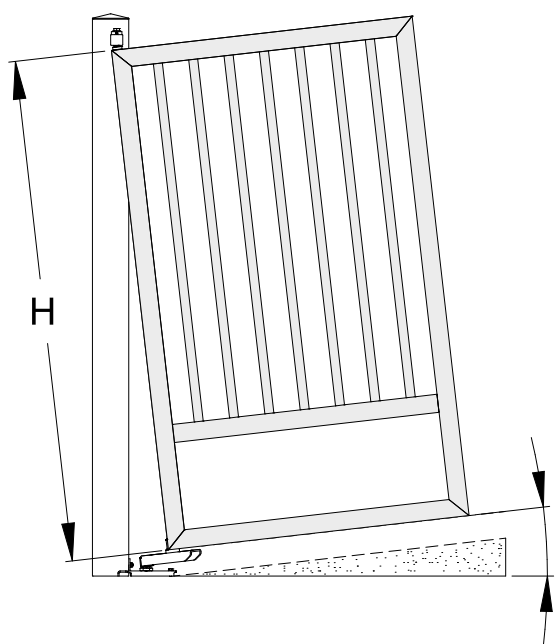
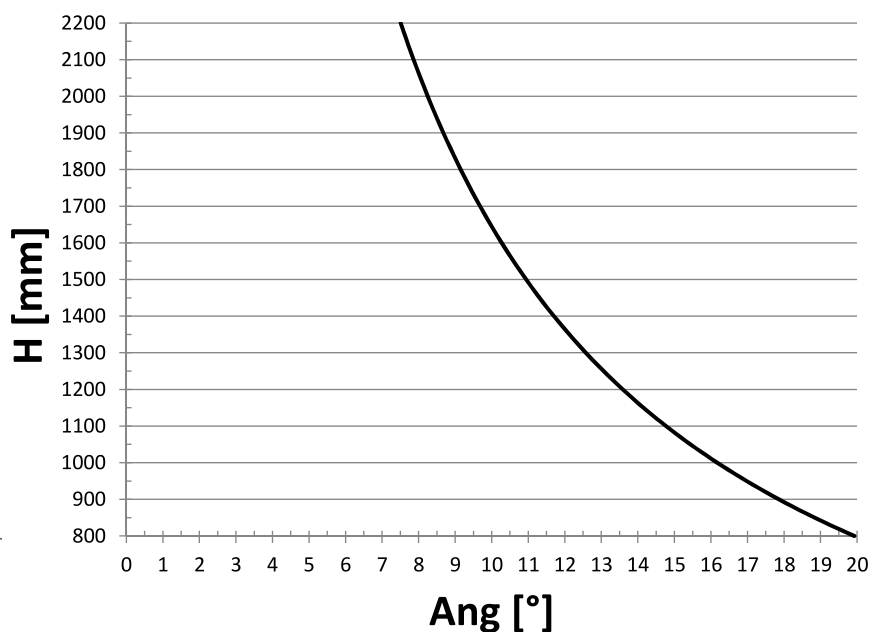
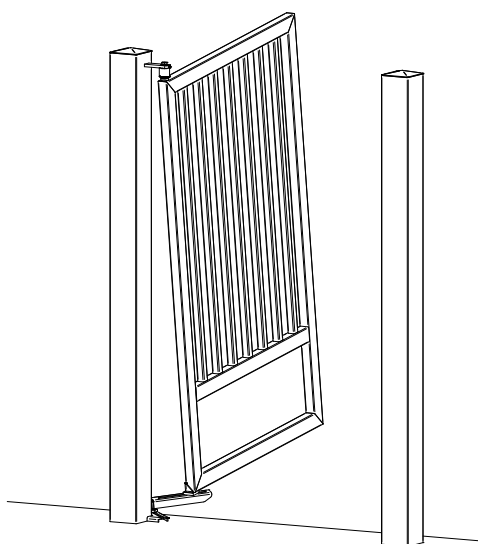
KC4601

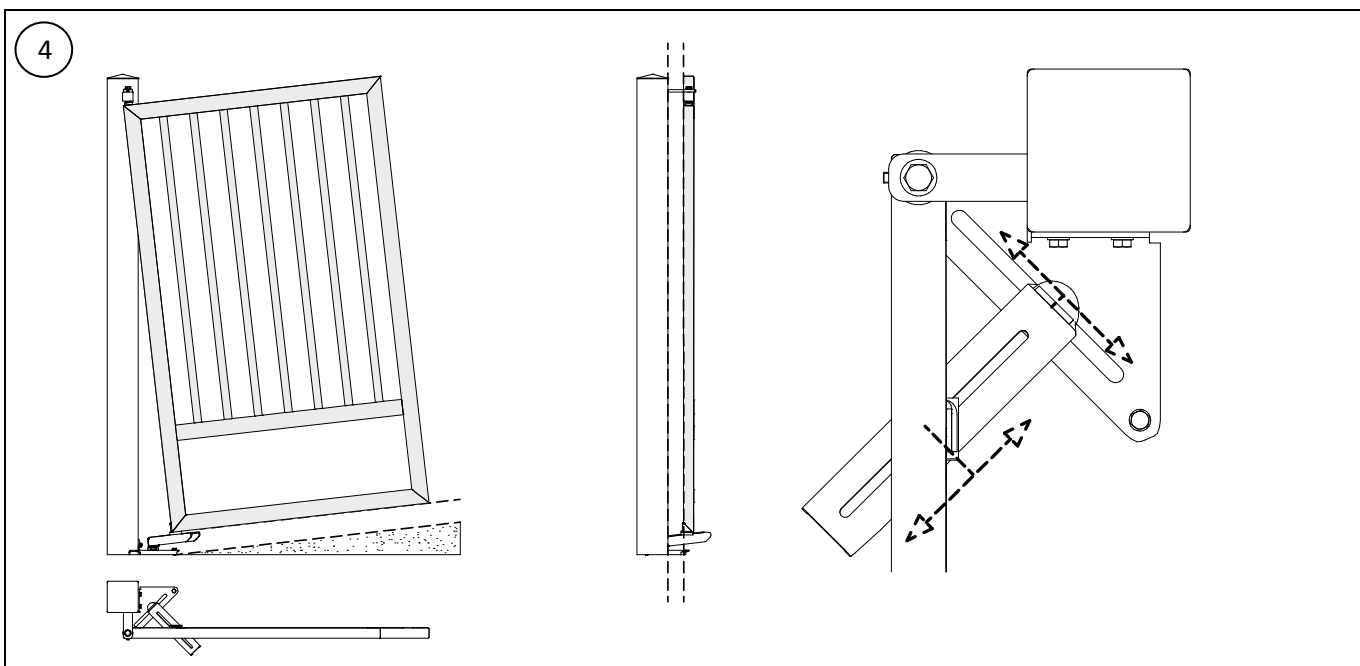
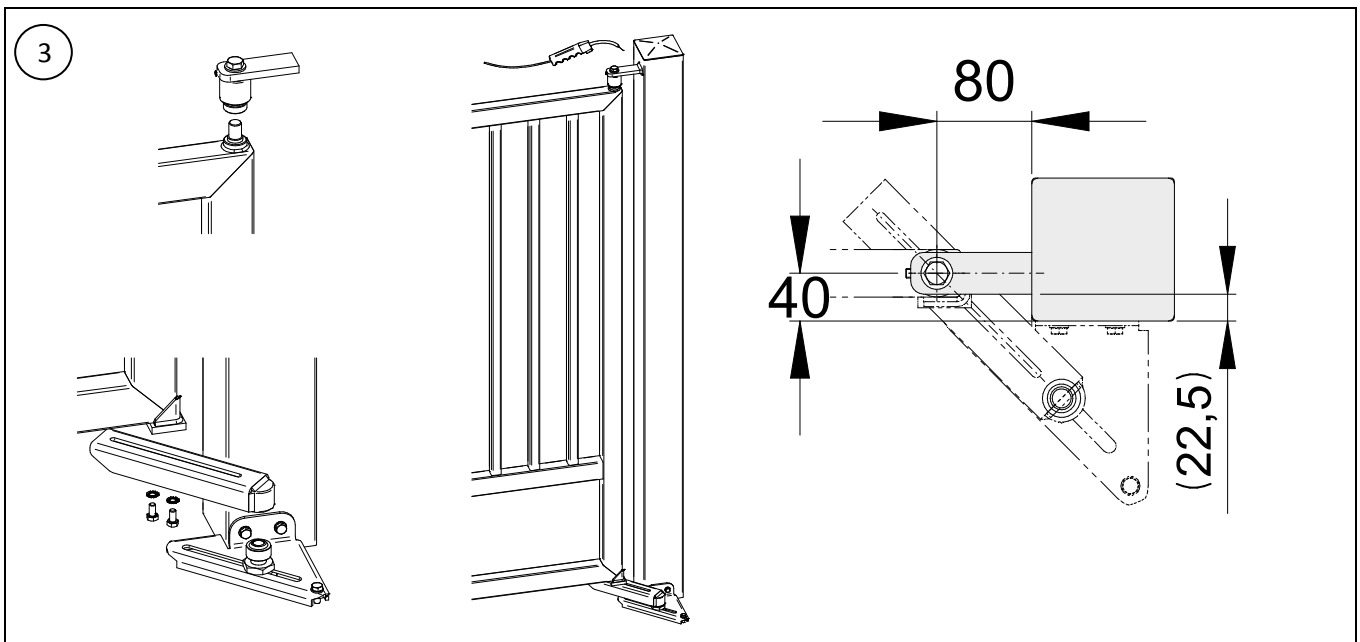
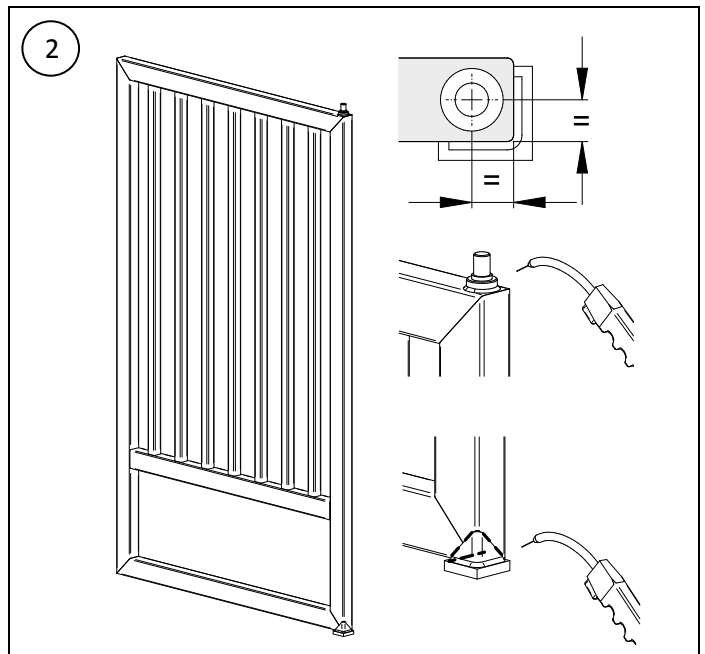
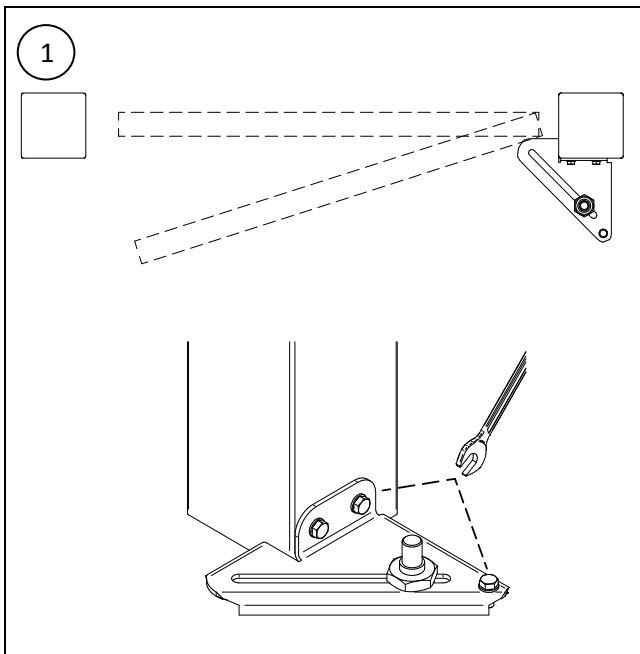


Part Number		G
KC4601.R.40	R	80
KC4601.L.40	L	80

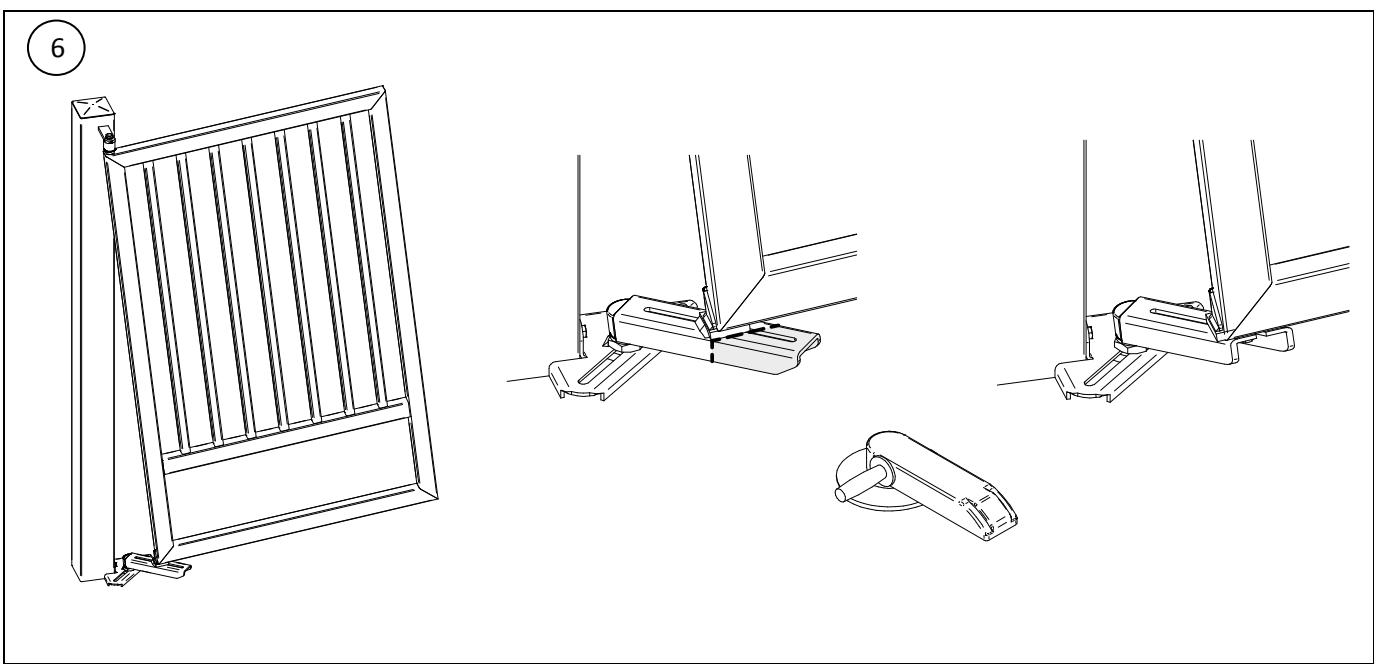
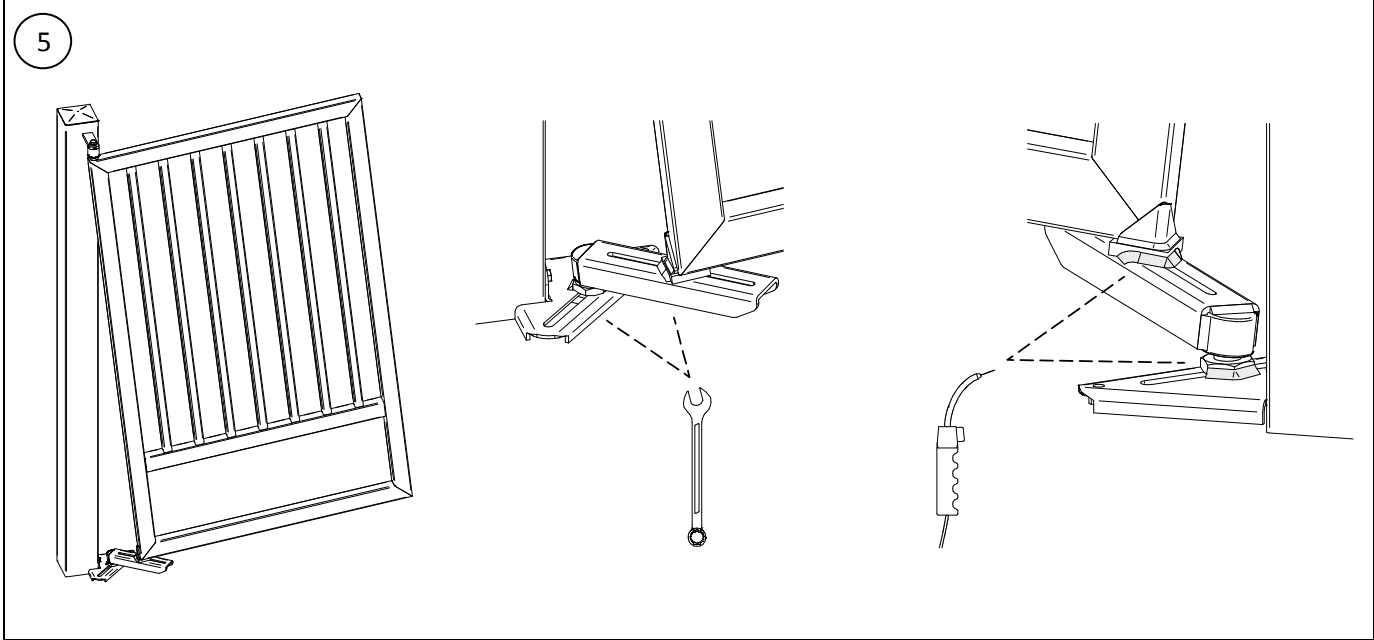


Max. inclination in relation to H (height of the leaf)





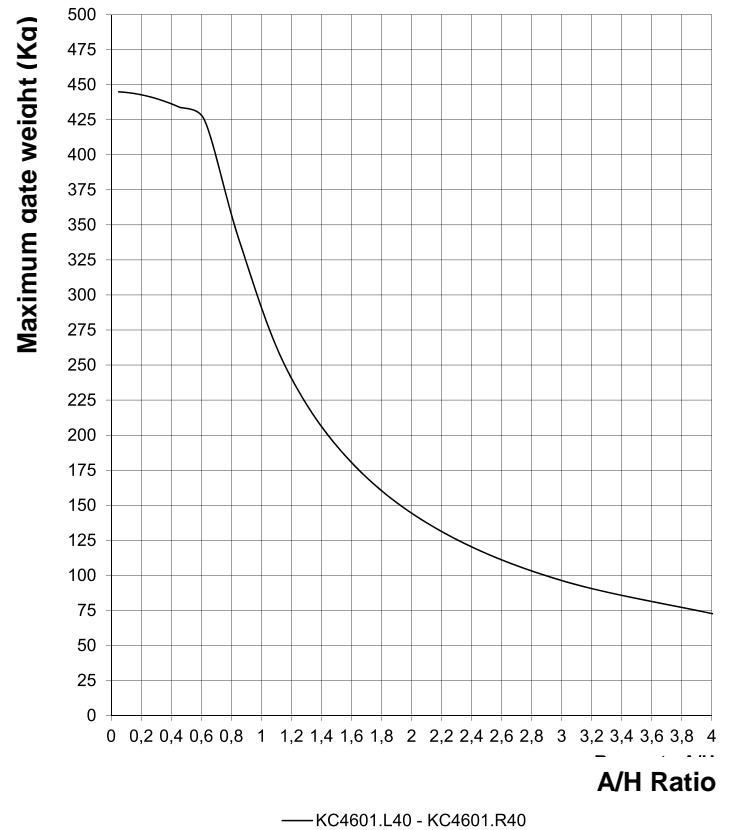
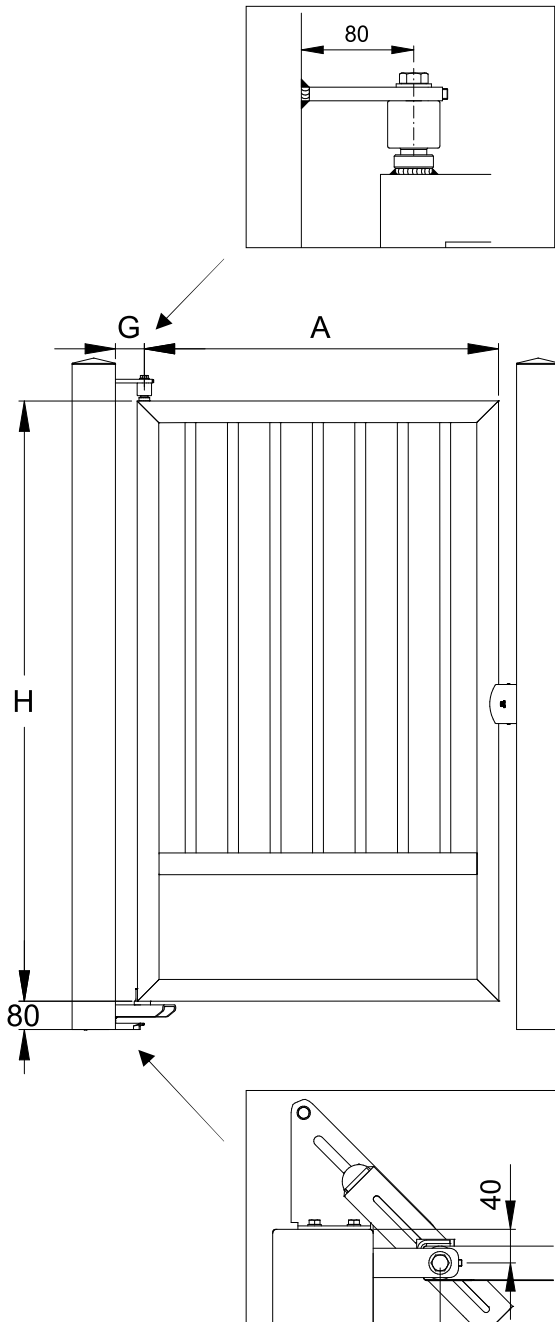
Attention: installations that do not comply with the illustrated procedure or failure to carry out correct maintenance operations can cause the gate to derail and endanger the safety of persons and property



Attention: installations that do not comply with the illustrated procedure or failure to carry out correct maintenance operations can cause the gate to derail and endanger the safety of persons and property

Hinge Calculation and Selection

Calculate the A / H ratio of the gate in question (see below graph), find the point in the graph corresponding to the weight of the gate. Select items that are found at the given point below the curve. If the gate does not have a uniformly distributed weight, then the A value must be calculated double the distance between the center of gravity and the axis of rotation of the gate.



Maintenance

To maintain this kit in good and safe working conditions, its necessary to follow these steps:

1. After gate assembly is completed, perform a few manual opening and closing cycles, make sure there are no loose parts and periodically lubricate all bushings and moving parts.
2. In case of accidental shock caused by moving vehicles or other external factors, check parts for external damages. In case of irreparable damage, replace with a new part. Always check the gate by manually operating a few opening and closing cycles. All maintenance procedures must be performed by trained technicians.
3. If the gate has any difficulty of movement or in presence of abnormal oscillations, the gate must be checked for worn parts, replaced if necessary. Gates working in harsh ambient conditions, such as; high humidity, salt, acids, dust or temperatures above 120 ° C will require special attention and frequent maintenance.
4. For motorized gates, pay special attention when selecting the operational speed. Soft starts and stops are highly recommended: High operational speeds and hard starts and stops are stressful to the system and it may result in loosen nuts, bolts and irreparable damage.



Attention: installations that do not comply with the illustred procedure or or failure to carry out correct maintenance operations can cause the gate to derail and endanger the safety of persons and propriety